

DS-D5C65RB/A 65-inch Interactive Flat Panel



The Hikvision Interactive Flat Panel is a kind of newly developed intelligent teaching assistance product which integrates with the latest technologies of touch control, HD display, video processing, network communication, interactive control, sound control. It can be widely applied to the classroom, online teaching, training center, etc.

- UHD 4K display with resolution of 3840×2160.
- Anti-glare and anti-blocking design to ensure smooth interaction
- Dual systems of Android and Windows (Optional) saving cost and easy to use, video conference software are recommended to run under Windows system.
- Quick response, at most 45-points touch control and smooth writing experience.
- Built-in network switch chip saves a network switch.
- All-in-one design with tempered glass and intelligent temperature control, making it environmental-friendly and safety-guaranteed, support blue light protection.

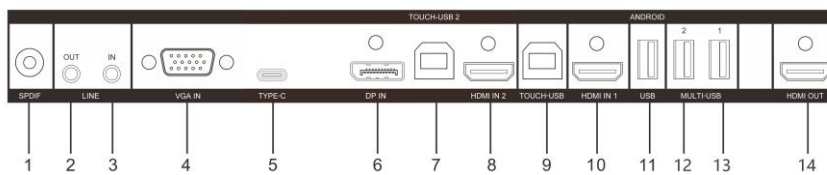
▪ Specification

Product Model	
Product Model	DS-D5C65RB/A
Panel	
Glass Thickness	3.2 mm
Glass Bonding Method	Zero Lamination
Display	
Screen Size	65 inch
Backlight	LED
Pixel Pitch	0.124 (H) × 0.372 (V) mm
Resolution	3840 × 2160 @60 Hz
Brightness	400 cd/m ² (Typ.)
Color Depth	10 bit
Contrast Ratio	5000:1
Response Time	6 ms
Color Gamut	72% NTSC (CIE1931) (Typ.)
Refresh Rate	60 Hz
Viewing Angle	178°(H)/178°(V)
Surface Haze	25%Haze
Display Area	1428.48mmx803.52mm
Working Duration	7*16H
Lifespan	50000 hours
Optical	
Aspect Ratio	16 : 9
Touch	
Type	Infrared Touch Screen
Touch Point	45 point multi-touch
Touch Response Time	< 8 ms
Touch Precision	± 1 mm (≥ 90% touching area)
Built-in System	
Operation System	Android 13.0
Processor	Quad-core Cortex-A76 × 4 (2.4GHz) and quad-core Cortex-A55 × 4 (1.8GHz)
Memory	8 GB
Built-in Storage	128 GB
Panel Type	VA
HDCP Version	2.3
Touch Resolution	32768 × 32768
Processing Performance	
Display Color	1.07G
Internal Function	
Loudspeaker	Built-in 2 ×15 W+25W loudspeaker;
Bluetooth	Built-in BLE (Bluetooth Low Energy) module supports Bluetooth 5.1

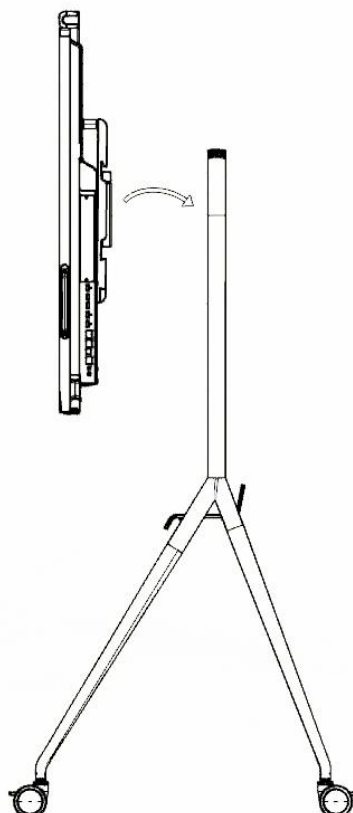
Interface	
Video & Audio Input	HDMI In (HDMI 2.0) × 3, VGA In × 1, DP In (DP 1.2) × 1, Audio In × 1
Video & audio output	HDMI Out (HDMI 2.0) × 1, Audio Out × 1, SPDIF Out × 1
Control interface	TOUCH-USB 3.0 × 3, RS232 × 1
Network Interface	LAN (1000 Mbps) × 2 WIFI AP&Station, 2.4G/5G IEEE 802.11 a/b/g/n/ac 2x2 MIMO (2.4 GHz and 5 GHz) authentication protocols WEP, WPA, WPA2, PSK and 802.1X EAP
Data Transmission Interface	USB 3.0 × 4, USB 2.0 × 1, Type-C × 2 (Type-C supports USB 2.0, DP 1.2, and charging functions; side charging 15 W, front charging 65 W)
Power	
Standby Consumption	≤ 0.5 W
Average Consumption	< 107W
General	
VESA	600 mm × 400 mm(4 × M8-25 mm)
Power Supply	100 to 240 VAC, 50/60 Hz
Product dimensions	1491.9 mm × 82.3 mm × 895.1 mm
Accessory	Wall mount bracket, hook, user manual, touch writing pen, packing list, 3M touch USB cable, 3M HDMI cable (2.0), 1.5m power cable (European standard), Bluetooth remote control.
Package Dimensions (W × H × D)	1704 mm × 251 mm × 1073 mm
Net Weight	36.6 kg
Gross Weight	46.6 kg
NFC	Support screen mirroring by Android phones.
Working Environment	
Working Temperature	0 °C to 40 °C (32 °F to 104°F)
Working Humidity	10%~90% RH

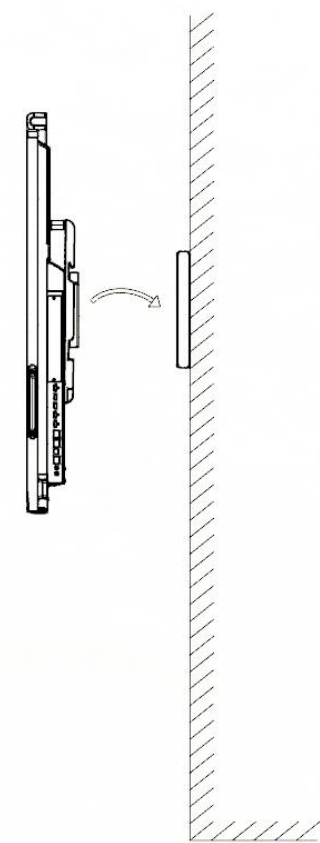
▪ Physical Interface

Interface	Description	Interface	Description
1.SPDIF	SPDIF interface	2.Line OUT	Audio output interface
3.Line IN	Audio input interface	4.VGA IN	Video devices connection interface
5.TYPE-C	Type-C interface	6.DP IN	Display input interface
7.TOUCH-USB 2	Peripheral touch interface	8.HDMI IN 2	HDMI 2 input interface
9.TOUCH-USB	Peripheral touch interface	10.HDMI IN 1	HDMI 1 input interface
11.USB	USB interface	12.MULTI-USB 2	Multi-functional USB interface
13.MULTI-USB 1	Multi-functional USB interface	14.HDMI OUT	HDMI output interface



▪ Installation

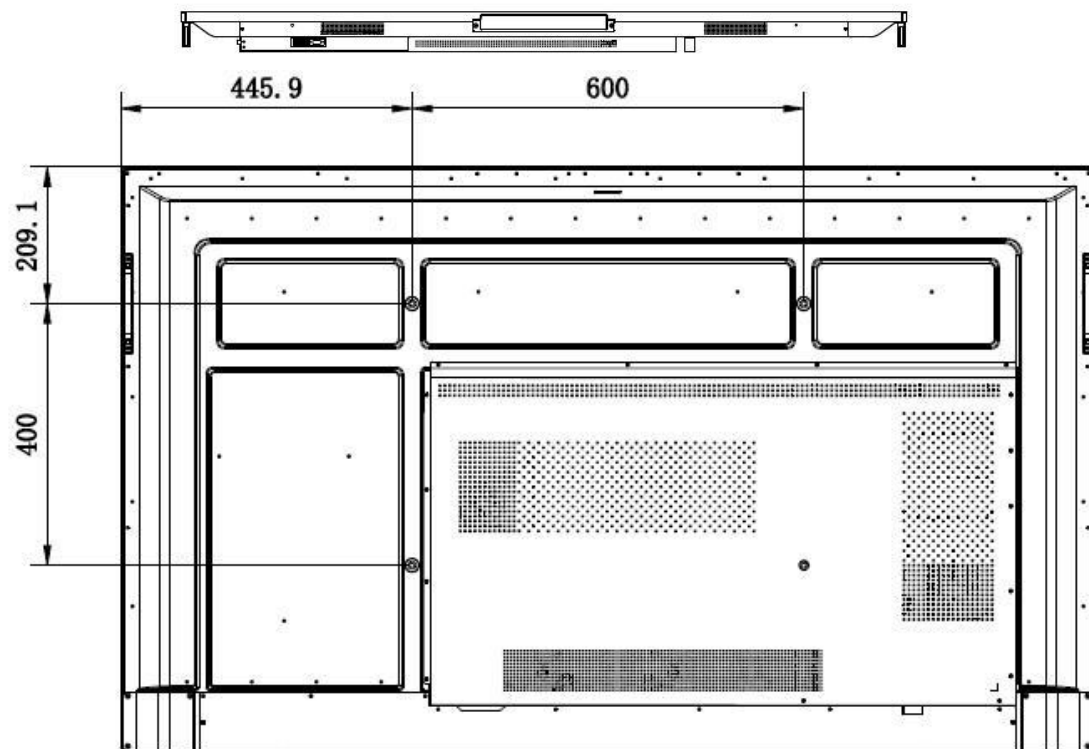
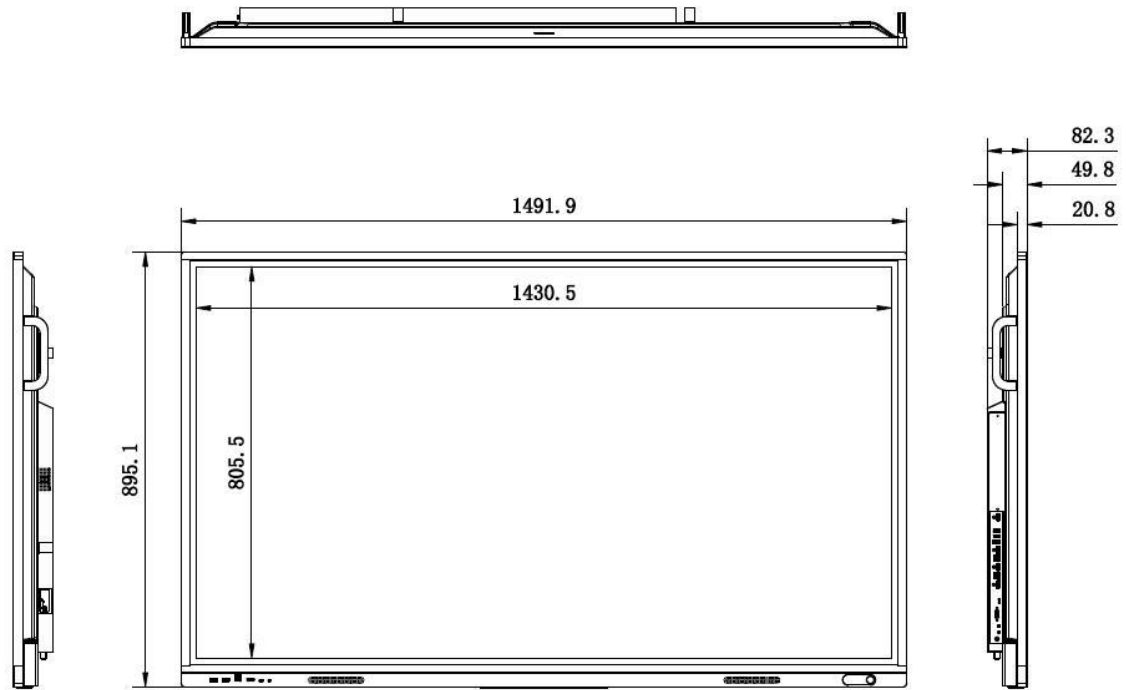


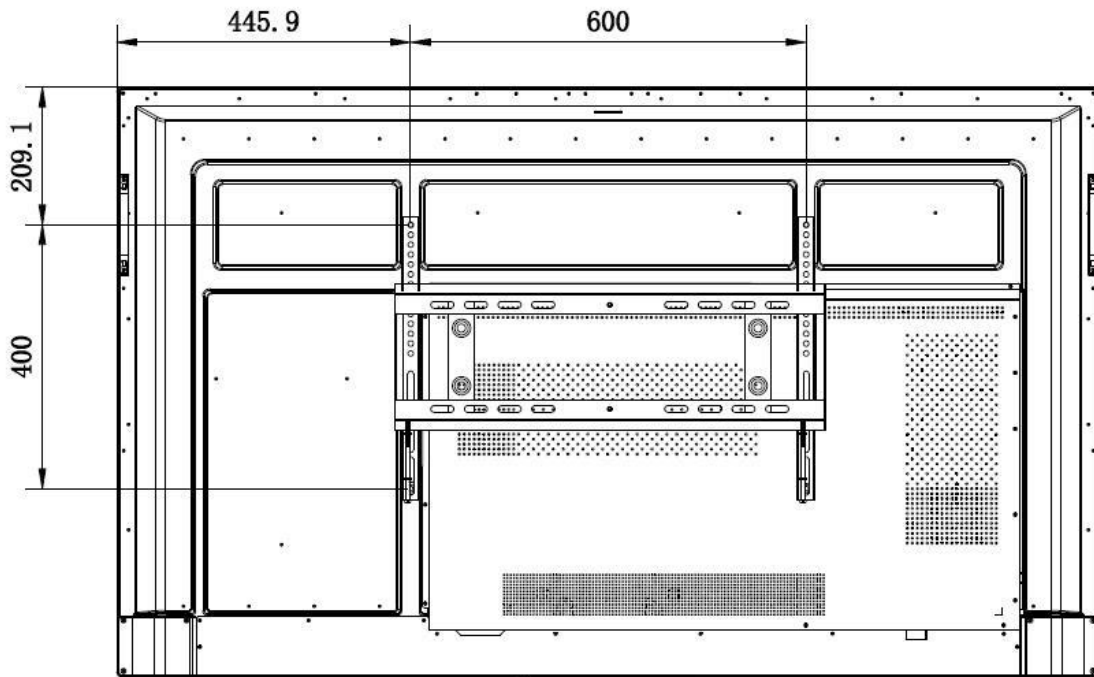


▪ **Available Model**

DS-D5C65RB/A

▪ **Dimension**





Headquarters

No.555 Qianmo Road, Binjiang District,
Hangzhou 310051, China
T +86-571-8807-5998
www.hikvision.com



Follow us on social media to get the latest product and solution information.

